



## GR3 - Lincat Silverlink 600 Electric Counter-top Salamander Grill - W 600 mm - 2.8 kW

The Silverlink 600 Electric Salamander Grill boasts even heat distribution for maximum output, meaning that producing perfectly grilled meat, fish, and toast has never been as simple or stress-free.

- ✔ Even heat distribution for maximum output and even cooking making it perfect for grilling and toasting a wide range of products
- ✔ Removable roasting rack and crumb tray, making it effortless to keep clean
- ✔ 5 shelf positions to give maximum flexibility for all catering operations
- ✔ Stainless steel interior for ease of cleaning at the end of service
- ✔ Chrome wire shelf to allow trays and food to be placed on for cooking
- ✔ Cool touch handles for safety

### Specifications

#### Summary

<b>Brand</b>	Lincat
<b>Range</b>	Silverlink 600
<b>Power Type</b>	Electric
<b>Unit Type</b>	Counter-top
<b>Available in UK Only</b>	No
<b>UK Warranty</b>	2 Years Parts and Labour Warranty
<b>Export Warranty</b>	Contact your local dealer
<b>GTIN</b>	5056105100140

#### Power and Performance

<b>Total Power kW</b>	2.8
<b>IP Rating</b>	IP34
<b>Cooking Area (Width x Depth) mm</b>	410 x 230
<b>Temperature Control</b>	Mechanical

#### Key Specifications

<b>Number of Shelves included</b>	1
<b>Number of Shelf Positions</b>	5
<b>Number of Heat Zones</b>	1

#### Capacity

<b>Product Output per Hour</b>	50 x 115g [4oz] burgers [frozen], 18 x 225g [8oz]
--------------------------------	---

#### Weights and Dimensions

<b>Unit Height (External) mm</b>	314
<b>Unit Width (External) mm</b>	600
<b>Unit Depth (External) mm</b>	350
<b>Shelf Dimensions Width mm</b>	410
<b>Shelf Dimensions Depth mm</b>	230
<b>Net Weight Kg</b>	18.2

#### Supply Connections

<b>Requires Installation</b>	No
<b>UK 3 Pin Plug</b>	Yes
<b>Requires Hardwiring</b>	No
<b>Electrical Supply Rating Watts</b>	2,800
<b>Single Phase Amps</b>	12.20
<b>Single Phase Voltage</b>	230

#### Shipping

<b>Packed Weight Kg</b>	21.9
<b>Packed Height cm</b>	49.5
<b>Packed Width cm</b>	70
<b>Packed Depth cm</b>	55

### Available Accessories

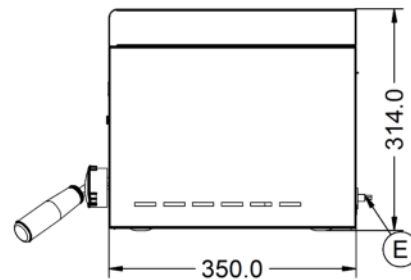
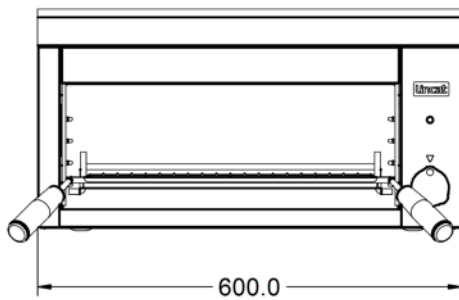
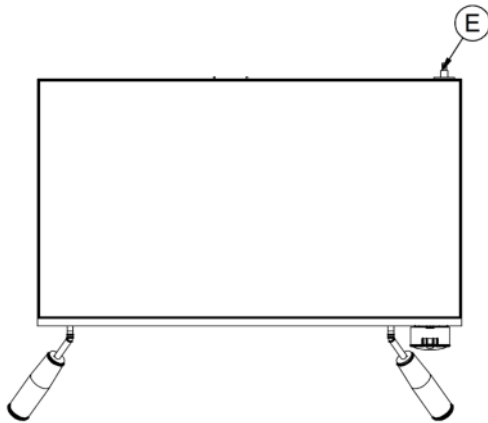
<b>ABP03</b>	BRANDING PLATE KIT
<b>BR15</b>	Wall Bracket for LGT/GR3
<b>GR3/BS</b>	BENCH STAND FOR GR3 - H410,D350,W605
<b>GR3/FS</b>	FLOOR STAND FOR GR3 - H1260,D350,W605

**Available Accessories**

GR3/WS

Wall Shelf for GR3

**Technical Picture**





**Lincat Limited**

Whisby Road,  
Lincoln, LN6 3QZ,  
United Kingdom

**Company No:** 2175448

A member company of



**Customer Care**

**Tel:** +44 1522 875500  
**Email:** [care@lincat.co.uk](mailto:care@lincat.co.uk)

**Export Customers**

**Tel:** +44 1522 503250  
**Email:** [export@lincat.co.uk](mailto:export@lincat.co.uk)

**Opening Hours**

**Monday – Friday:**  
8.30am – 5pm